

Approval body for construction products
and types of construction

Bautechnisches Prüfamt

An institution established by the Federal and
Laender Governments



European Technical Assessment

ETA-12/0093
of 10 November 2022

English translation prepared by DIBt - Original version in German language

General Part

Technical Assessment Body issuing the
European Technical Assessment:

Deutsches Institut für Bautechnik

Trade name of the construction product

IsoFux Rocket, IsoFux Rocket EVOLution

Product family
to which the construction product belongs

Plastic anchor for fixing of external thermal insulation
composite systems with rendering

Manufacturer

RANIT-Befestigungssysteme GmbH
Lennestraße 3-5
45701 Herten
DEUTSCHLAND

Manufacturing plant

RANIT-Befestigungssysteme GmbH
Lennestraße 3-5
45701 Herten
GERMANY

This European Technical Assessment
contains

23 pages including 3 annexes which form an integral part
of this assessment

This European Technical Assessment is
issued in accordance with Regulation (EU)
No 305/2011, on the basis of

EAD 330196-01-0604 edition 10/2017

This version replaces

ETA-12/0093 issued on 20 October 2020

The European Technical Assessment is issued by the Technical Assessment Body in its official language. Translations of this European Technical Assessment in other languages shall fully correspond to the original issued document and shall be identified as such.

Communication of this European Technical Assessment, including transmission by electronic means, shall be in full. However, partial reproduction may only be made with the written consent of the issuing Technical Assessment Body. Any partial reproduction shall be identified as such.

This European Technical Assessment may be withdrawn by the issuing Technical Assessment Body, in particular pursuant to information by the Commission in accordance with Article 25(3) of Regulation (EU) No 305/2011.

Specific Part

1 Technical description of the product

The screwed-in anchor type IsoFux Rocket consists of a plastic sleeve made of polypropylene (virgin material), a plastic shaft with a plate and a cover cap made of polyamide (virgin material) and an accompanying specific screw of galvanised steel. For deep mounting of the anchor in the insulating material the IsoFux Rocket consists in addition of an accompanying insulation cover made of polystyrol or mineral wool. For mounting on the surface the anchor may in addition be combined with the anchor plates T90, T110 and T140. The anchor may also be combined with the anchor plate MW-Cup.

The screwed-in anchor type IsoFux Rocket EVOlution consists of a plastic sleeve and a sieve sleeve made of polyamide (virgin material) and an accompanying specific screw of galvanised steel.

The product description is given in Annex A.

2 Specification of the intended use in accordance with the applicable European Assessment Document

The performances given in Section 3 are only valid if the anchor is used in compliance with the specifications and conditions given in Annex B.

The verifications and assessment methods on which this European Technical Assessment is based lead to the assumption of a working life of the anchor of at least 25 years. The indications given on the working life cannot be interpreted as a guarantee given by the producer, but are to be regarded only as a means for choosing the right products in relation to the expected economically reasonable working life of the works.

3 Performance of the product and references to the methods used for its assessment

3.1 Safety and accessibility in use (BWR 4)

Essential characteristic	Performance
Characteristic load bearing capacity <ul style="list-style-type: none"> - Characteristic resistance under tension load - Minimum edge distance and spacing 	See Annex C 1 See Annex B 2
Displacements	See Annex C 2
Plate stiffness	See Annex C 3

3.2 Energy economy and heat retention (BWR 6)

Essential characteristic	Performance
Point thermal transmittance	See Annex C 3

4 Assessment and verification of constancy of performance (AVCP) system applied, with reference to its legal base

In accordance with EAD No. 330196-01-0604, the applicable European legal act is: [97/463/EC].

The system to be applied is: 2+

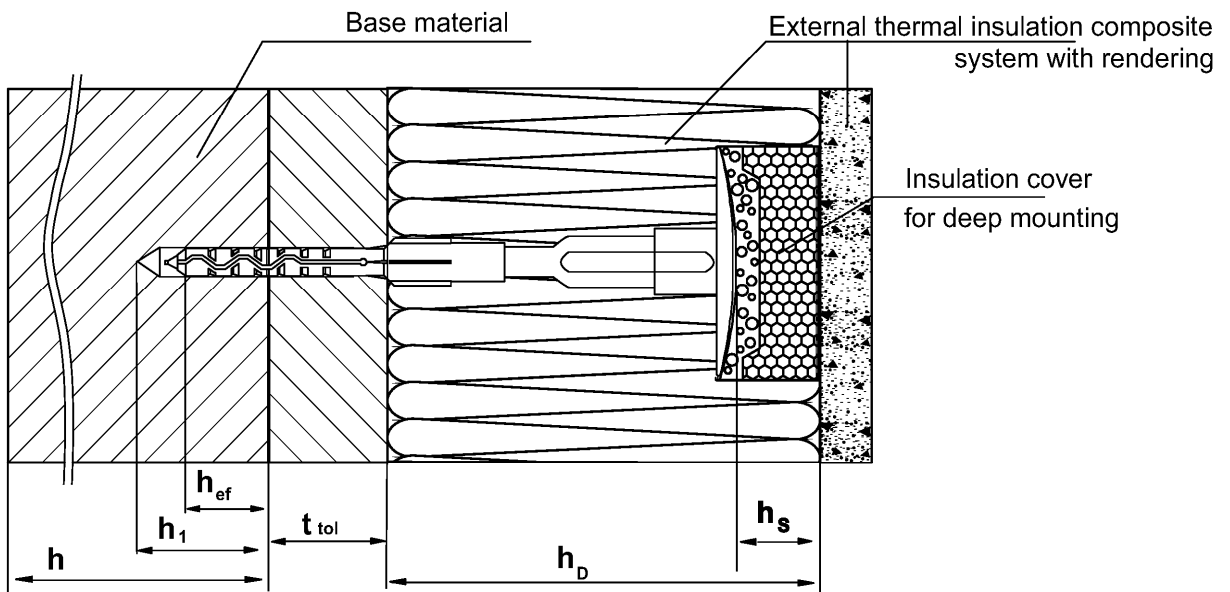
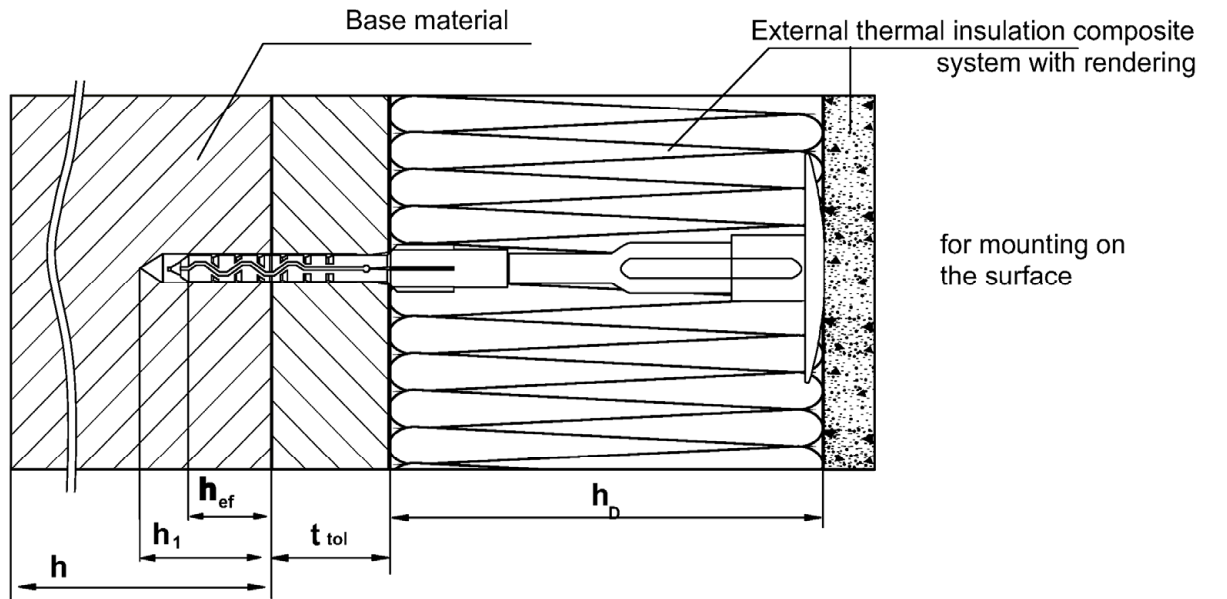
5 Technical details necessary for the implementation of the AVCP system, as provided for in the applicable European Assessment Document

Technical details necessary for the implementation of the AVCP system are laid down in the control plan deposited with Deutsches Institut für Bautechnik.

Issued in Berlin on 10 November 2022 by Deutsches Institut für Bautechnik

Dipl.-Ing. Beatrix Wittstock
Head of Section

beglaubigt:
Ziegler



Legend:

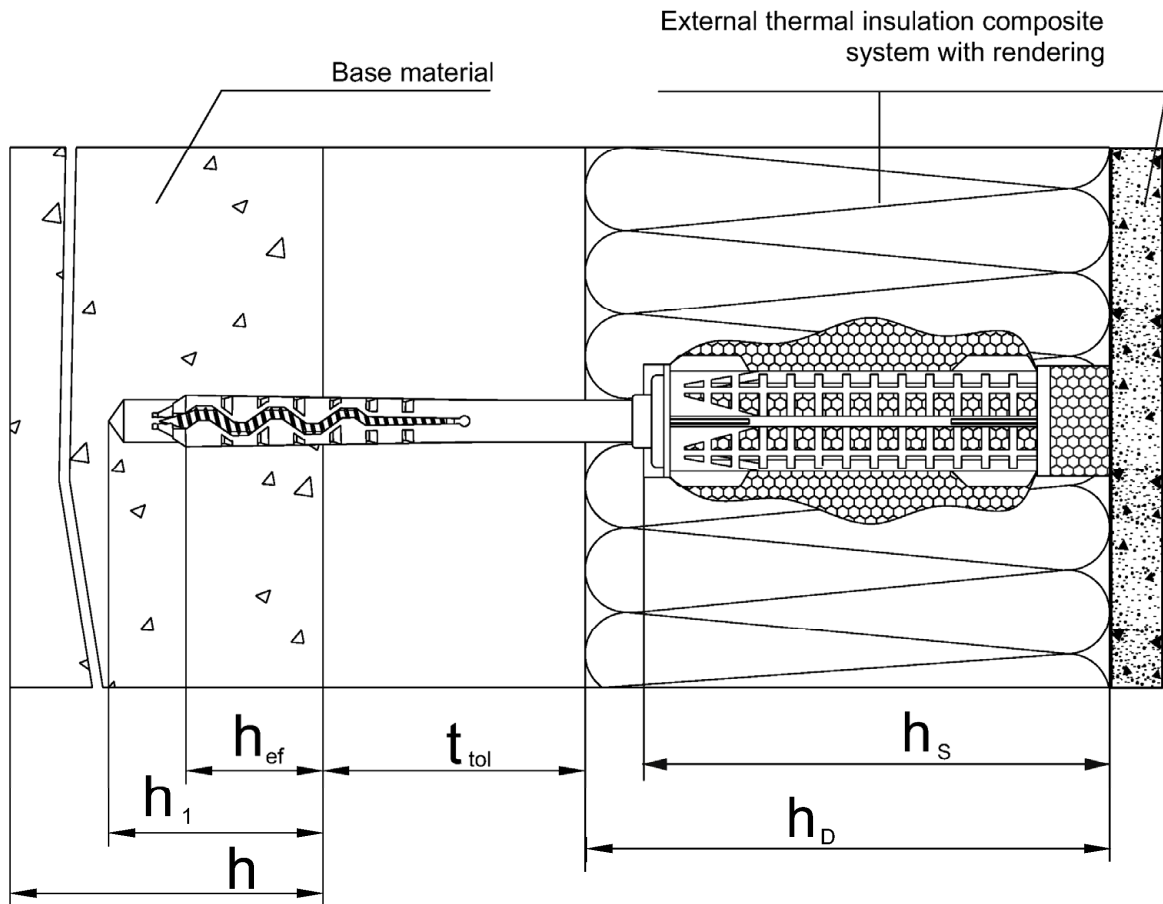
- h = thickness of base material
- h_1 = depth of drilled hole to deepest point
- h_{ef} = effective anchorage depth
- h_D = thickness of insulation material
- t_{tol} = thickness of equalizing layer or non-load bearing coating
- h_s = IsoFux Rocket depth of countersink

IsoFux Rocket, IsoFux Rocket EVolution

Product description

installed condition - surface mount, deep mounting: IsoFux Rocket

Annex A 1



Legend:

- h = thickness of base material
- h_1 = depth of drilled hole to deepest point
- h_{ef} = effective anchorage depth
- h_D = thickness of insulation material
- t_{tol} = thickness of equalizing layer or non-load bearing coating
- h_s = IsoFux Rocket EVOLution depth of countersink

IsoFux Rocket, IsoFux Rocket EVOLution

Product description

installed condition - deep mounting: IsoFux Rocket EVOLution

Annex A 2

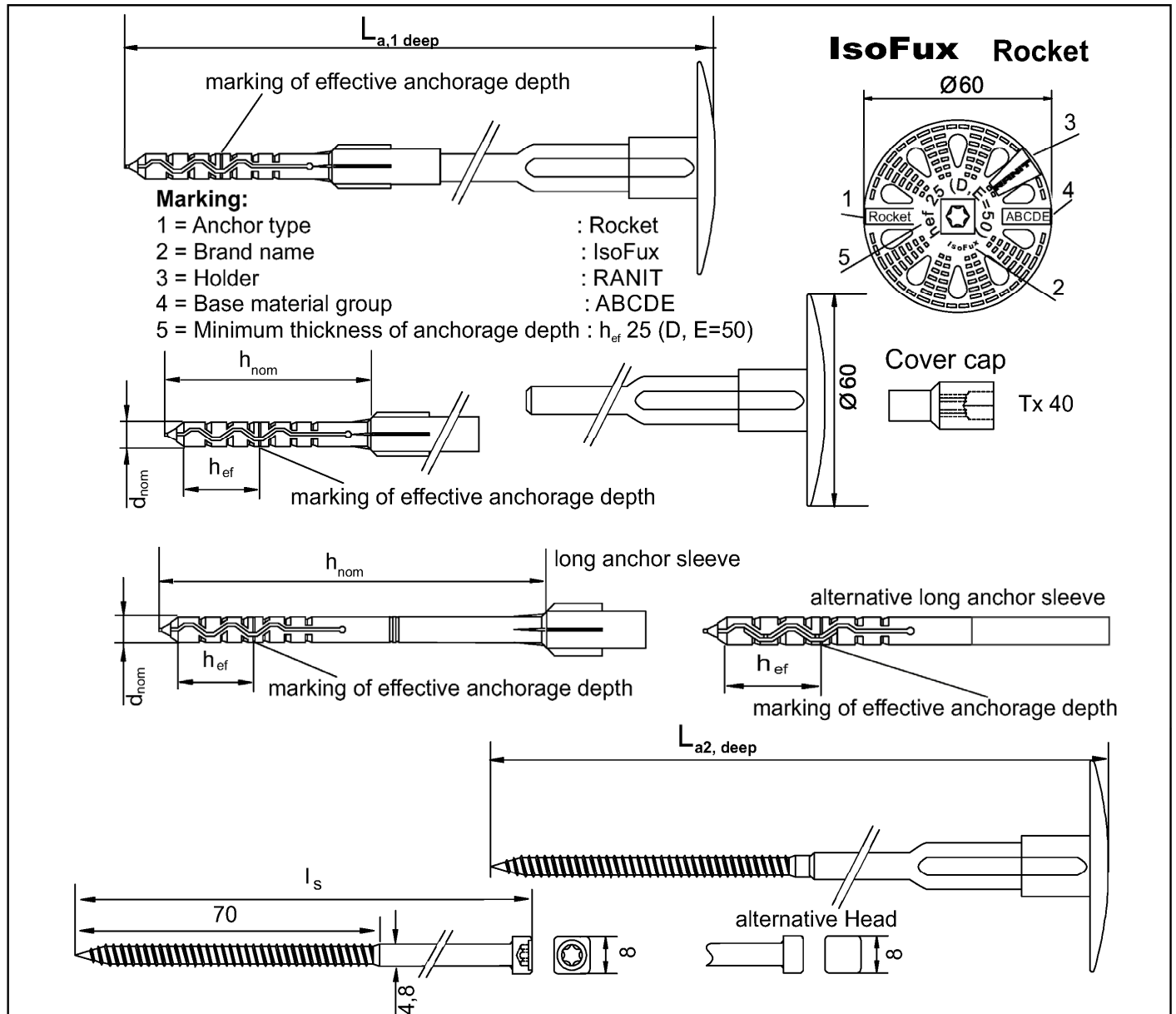


Table A1: Dimensions

Sizes in mm

Anchor type	Anchor sleeve				L_{a1}		L_{a2}	
	d_{nom}	h_{ef}	h_{nom}	$t_{tol max}$	min $L_{a1, deep}$	max L_{a1}	min $L_{a2, deep}$	max L_{a2}
IsoFux Rocket								
short anchor sleeve	8	25	65	35	135	480	82	427
long anchor sleeve	8	25	125	95	215	480	162	427

Evaluation of thickness of the insulation h_{Dmax} IsoFux Rocket with short anchor sleeve
 $\min L_{a1, deep} - h_{nom} - 30 = h_{Dmax}$; e.g.: (min $L_{a1, deep} = 155$) $155 - 65 - 30 = 60$ (h_{Dmax})

Evaluation of thickness of the insulation h_{Dmax} IsoFux Rocket with long anchor sleeve
 $\min L_{a1, deep} - h_{nom} + 30 = h_{Dmax}$; e.g.: (min $L_{a1, deep} = 235$) $235 - 125 + 30 = 140$ (h_{Dmax})

IsoFux Rocket, IsoFux Rocket EVolution

Product description

Base material group A, B, C - IsoFux Rocket
 Components of mounting on the surface, dimensions

Annex A 3

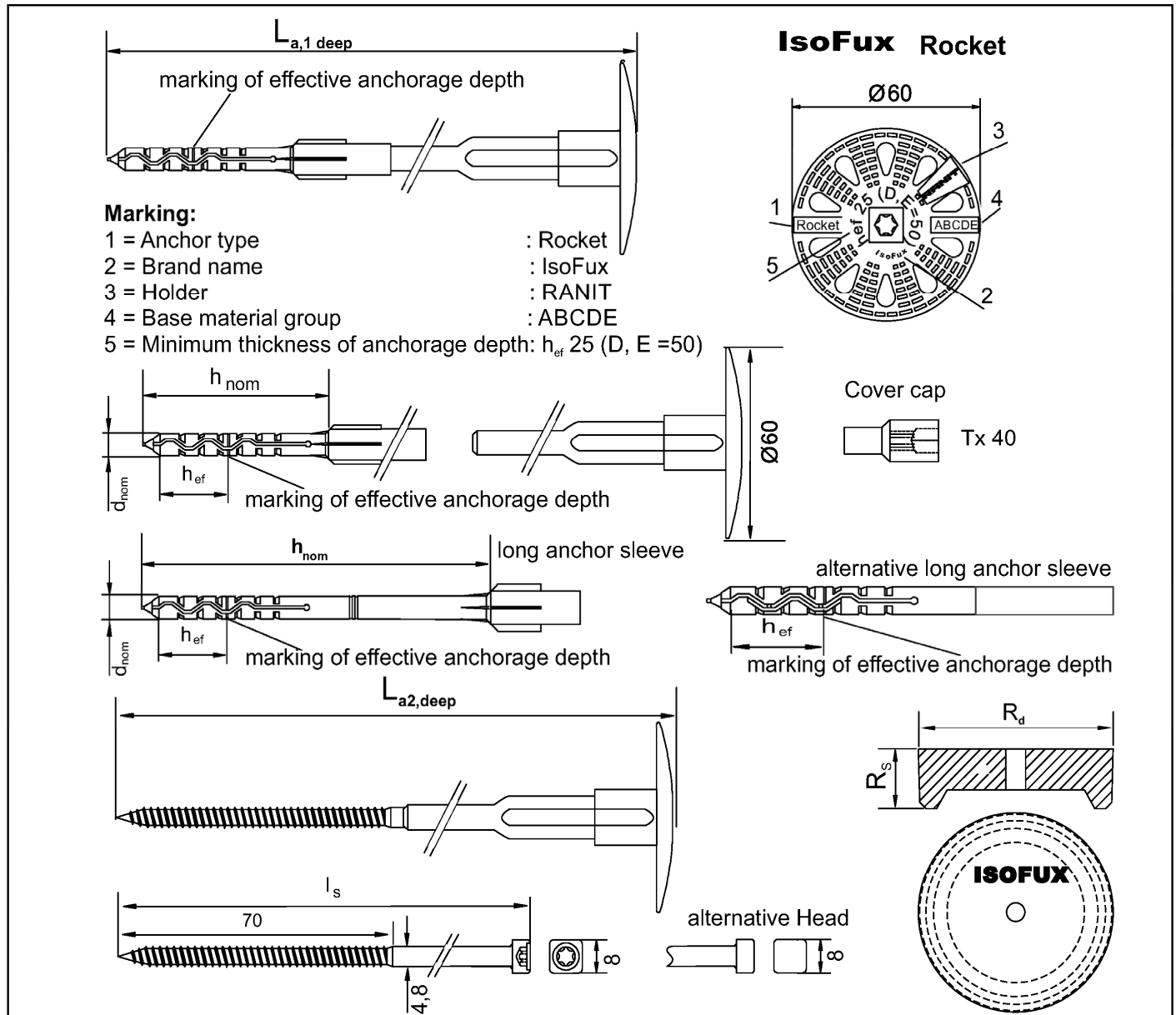
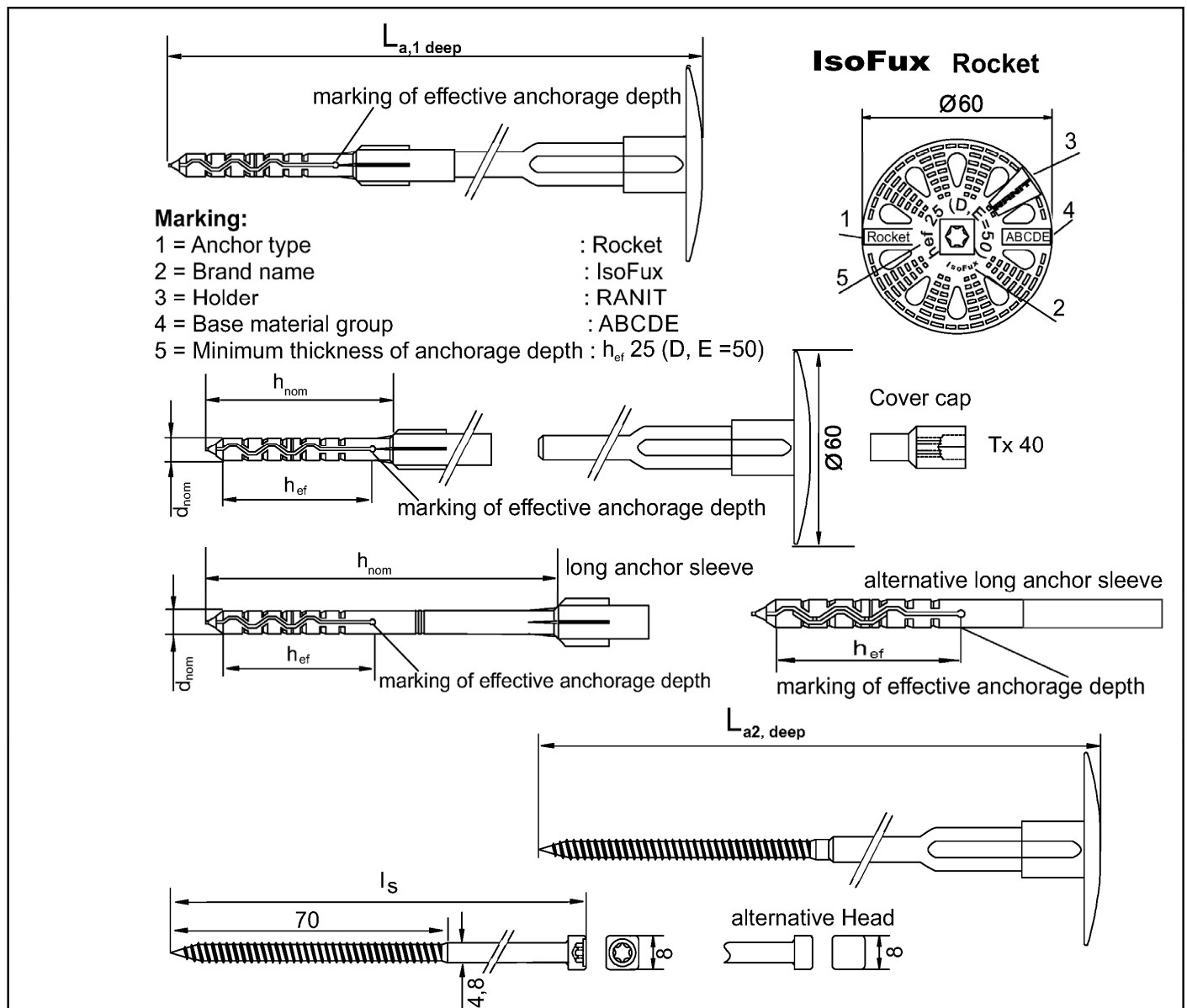


Table A2: Dimensions					Sizes in mm					
Anchor type	Anchor sleeve				L_{a1}		L_{a2}		cover	
	d_{nom}	h_{ef}	h_{nom}	$t_{tol\ max}$	min $L_{a1, deep}$	max L_{a1}	min $L_{a2, deep}$	max L_{a2}	R_s	R_d
IsoFux Rocket										
short anchor sleeve	8	25	65	35	135	480	82	427	20	64
long anchor sleeve	8	25	125	95	215	480	162	427	20	64

Evaluation of thickness of the insulation h_{Dmax} IsoFux Rocket with short anchor sleeve
 $\min L_{a1, deep} - h_{nom} - 30 + R_s = h_{Dmax}$; e.g.: ($\min L_{a1, deep} = 155$) $155 - 65 - 30 + 20 = 80$ (h_{Dmax})

Evaluation of thickness of the insulation h_{Dmax} IsoFux Rocket with long anchor sleeve
 $\min L_{a1, deep} - h_{nom} + 30 + R_s = h_{Dmax}$; e.g.: ($\min L_{a1, deep} = 235$) $235 - 125 + 30 + 20 = 160$ (h_{Dmax})

IsoFux Rocket, IsoFux Rocket EVOLution	Annex A 4
Product description Base material group A, B, C - IsoFux Rocket Components for deep mounting, dimensions	



Marking:

- 1 = Anchor type : Rocket
- 2 = Brand name : IsoFux
- 3 = Holder : RANIT
- 4 = Base material group : ABCDE
- 5 = Minimum thickness of anchorage depth : h_{ef} 25 (D, E =50)

Table A3: Dimensions					Sizes in mm			
Anchor type	Anchor sleeve				L_{a1}		L_{a2}	
	d_{nom}	h_{ef}	h_{nom}	$t_{tol max}$	min $L_{a1, deep}$	max L_{a1}	min $L_{a2, deep}$	max L_{a2}
IsoFux Rocket								
short anchor sleeve	8	50	65	10	135	480	82	427
long anchor sleeve	8	50	125	70	215	480	162	427

Evaluation of thickness of the insulation h_{Dmax} IsoFux Rocket with short anchor sleeve
 $\min L_{a1, deep} - h_{nom} - 30 = h_{Dmax}$; e.g.: ($\min L_{a1, deep} = 155$) $155 - 65 - 30 = 60$ (h_{Dmax})

Evaluation of thickness of the insulation h_{Dmax} IsoFux Rocket with long anchor sleeve
 $\min L_{a1, deep} - h_{nom} + 30 = h_{Dmax}$; e.g.: ($\min L_{a1, deep} = 235$) $235 - 125 + 30 = 140$ (h_{Dmax})

IsoFux Rocket, IsoFux Rocket EVolution	Annex A 5
Product description Base material group D, E - IsoFux Rocket Components of mounting on the surface, dimensions	

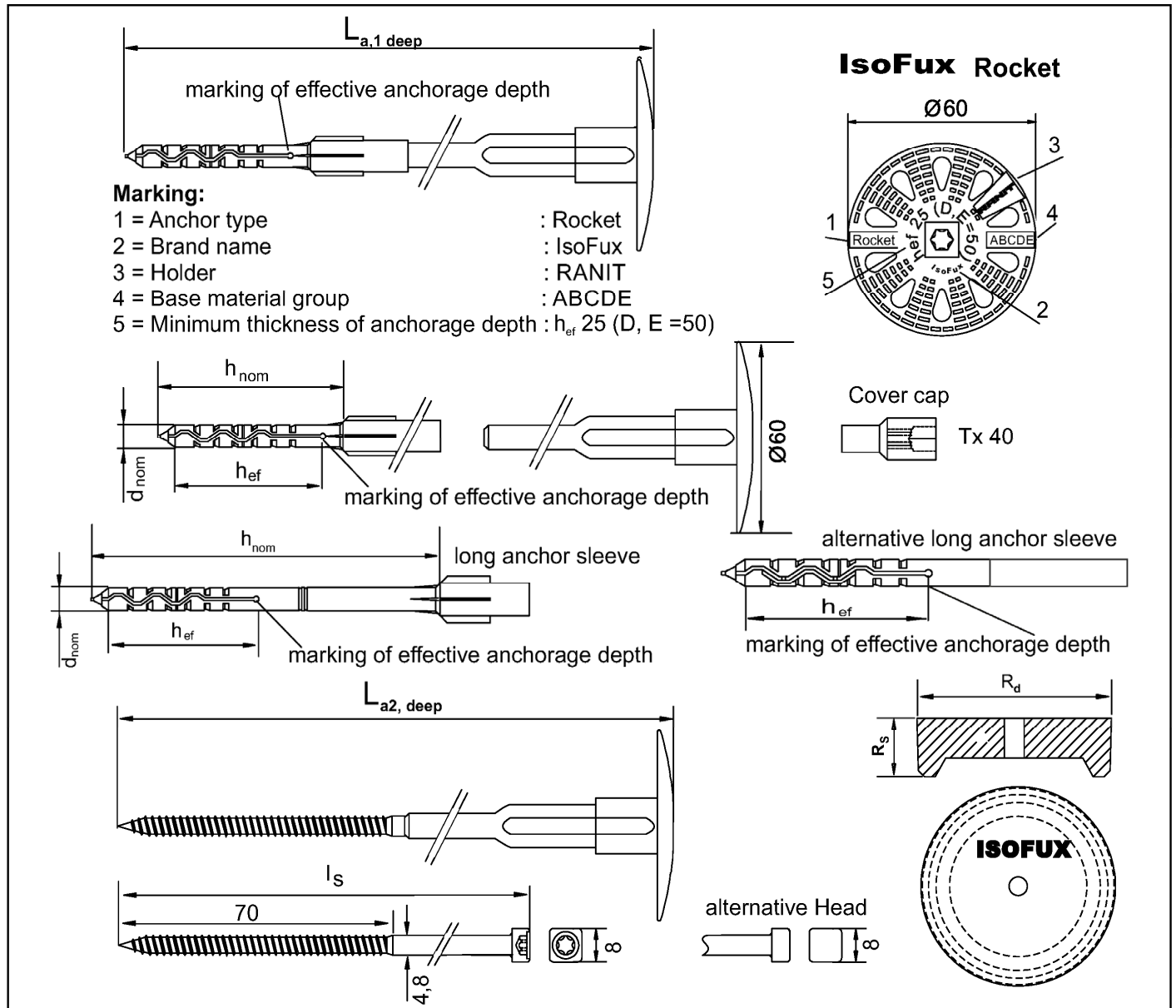


Table A4: Dimensions								Sizes in mm		
Anchor type	Anchor sleeve				L_{a1}		L_{a2}		cover	
	d_{nom}	h_{ef}	h_{nom}	$t_{tol max}$	min $L_{a1, deep}$	max L_{a1}	min $L_{a2, deep}$	max L_{a2}	R_s	R_d
IsoFux Rocket										
short anchor sleeve	8	50	65	10	135	480	82	427	20	64
long anchor sleeve	8	50	125	70	215	480	162	427	20	64

Evaluation of thickness of the insulation h_{Dmax} IsoFux Rocket with short anchor sleeve
 $\min L_{a1, deep} - h_{nom} - 30 + R_s = h_{Dmax}$; e.g.: (min $L_{a1, deep} = 155$) $155 - 65 - 30 + 20 = 80$ (h_{Dmax})

Evaluation of thickness of the insulation h_{Dmax} IsoFux Rocket with long anchor sleeve
 $\min L_{a1, deep} - h_{nom} + 30 + R_s = h_{Dmax}$; e.g.: (min $L_{a1, deep} = 235$) $235 - 125 + 30 + 20 = 160$ (h_{Dmax})

IsoFux Rocket, IsoFux Rocket EVOLution	Annex A 6
Product description	
Base material group D, E - IsoFux Rocket Components for deep mounting, dimensions	

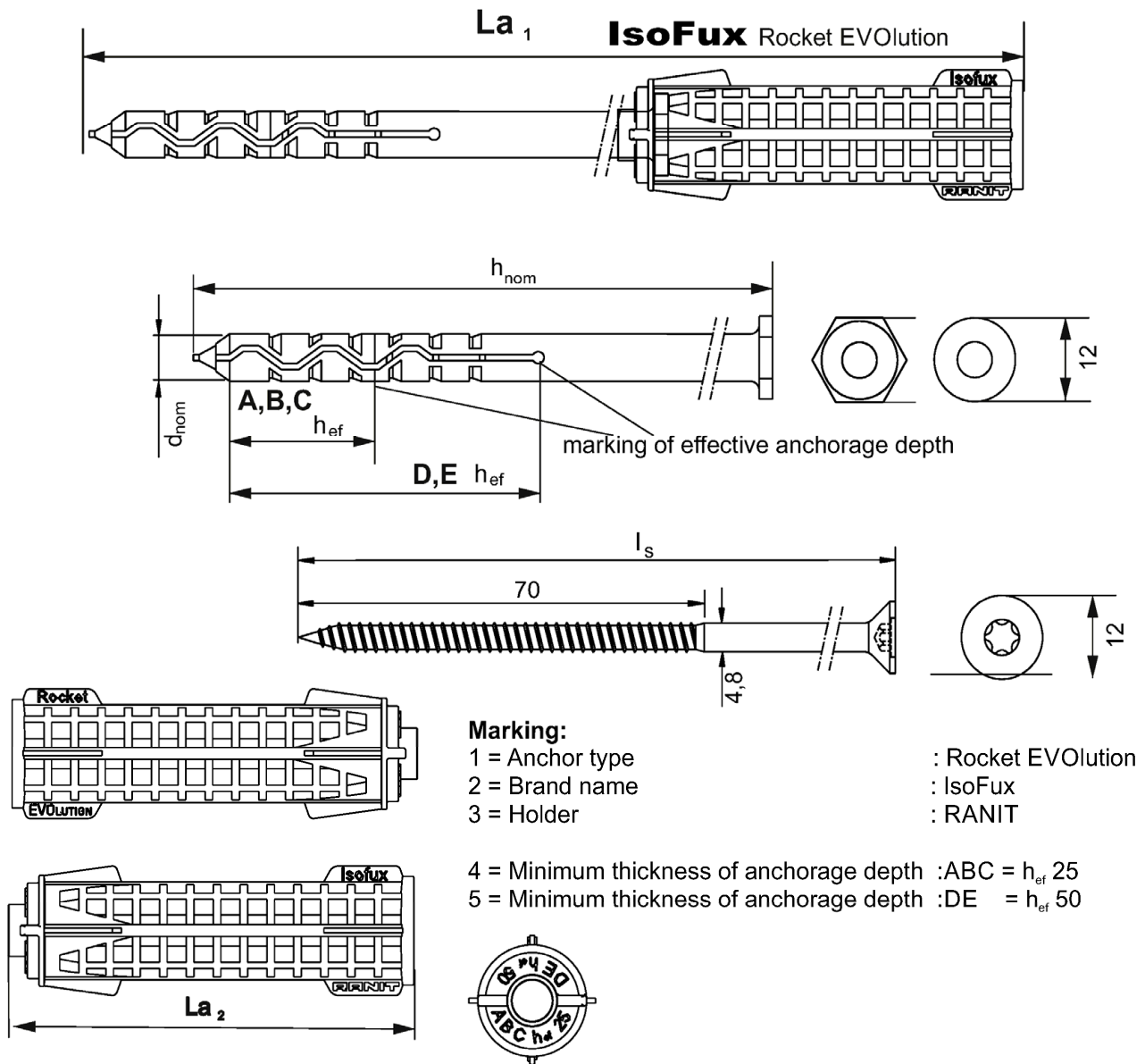


Table A5: Dimensions					Sizes in mm			
Anchor type	Anchor sleeve				IsoFux Rocket EVOLUTION L_{a1}		IsoFux Rocket EVOLUTION L_{a2}	
	d_{nom}	h_{ef}	min h_{nom}	max h_{nom}	min L_{a1}	max L_{a1}	min L_{a2}	max L_{a2}
anchor sleeve	8	25	100	160	170	299	79	139
anchor sleeve	8	50	100	160	170	299	79	139

IsoFux Rocket, IsoFux Rocket EVOLUTION

Product description

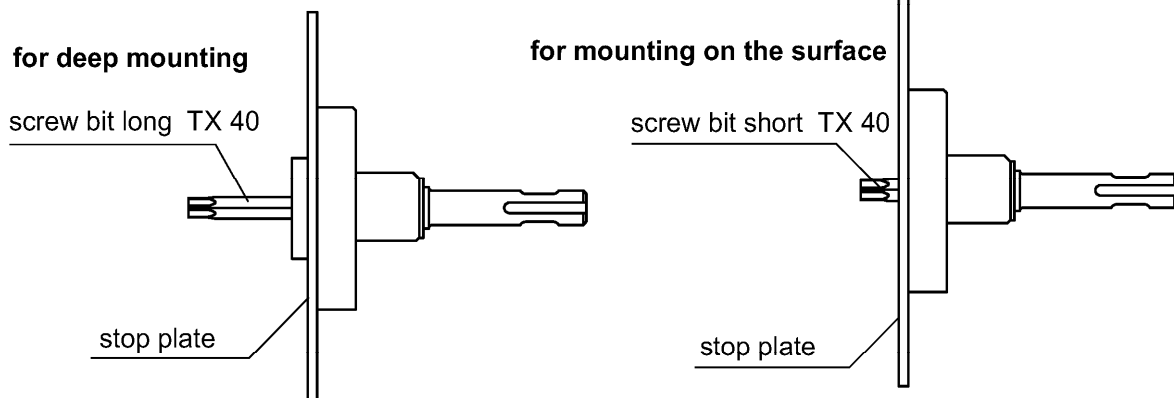
Base material group A, B, C, D, E IsoFux Rocket EVOLUTION
Components for deep mounting, dimensions

Annex A 7

Table A6: Maximum insulation thickness for mounting on the surface and deep mounting, classification of the lengths L_{a1} , color coding of the cover caps

mounting on the surface h_d max	deep mounting h_d max	min L_{a1} , deep	max L_{a1}	Cover cap Color
40	60	135	160	light beige
60	80	155	180	beige
80	100	175	200	yellow
100	120	195	220	green
120	140	215	240	white
140	160	235	260	orange
160	180	255	280	brown
180	200	275	300	blue
200	220	295	320	red
220	240	315	340	light grey
240	260	335	360	black
260	280	355	380	violet
280	300	375	400	dark grey
320	340	415	440	dark green
360	380	455	480	natural

Screw-in tool for IsoFux Rocket

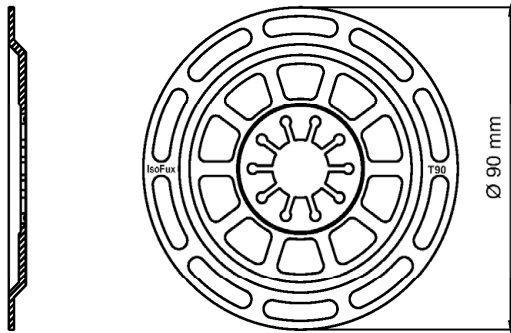


IsoFux Rocket, IsoFux Rocket EVolution

Product description

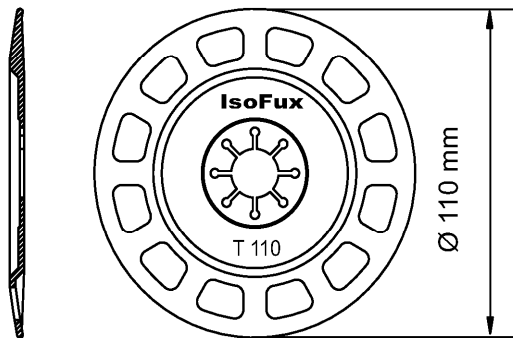
Classification of the anchor length L_{a1} for the insulation thickness h_d and colour coding of the cover caps, Screw-in tool for IsoFux Rocket

Annex A 8

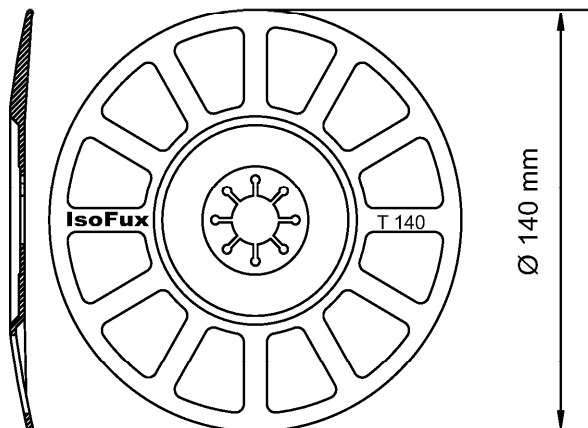
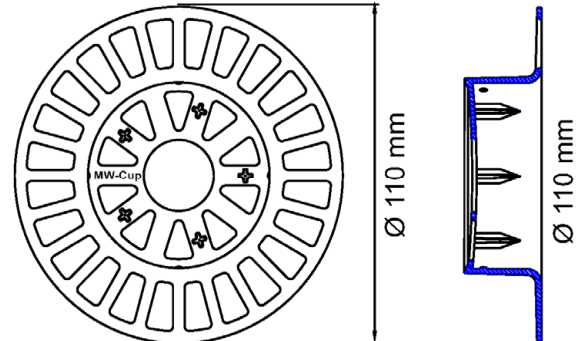


Material:
virgin Polypropylene (PP)
Color: grey, orange, red

Material:
virgin Polyamide 6.6 (PA)
Color: grey, orange, red



Material:
virgin Polyamid 6.0 GF (PA GF)
Color: natural- beige



Material:
virgin Polyamide 6.6 (PA)
Color: grey, orange, red

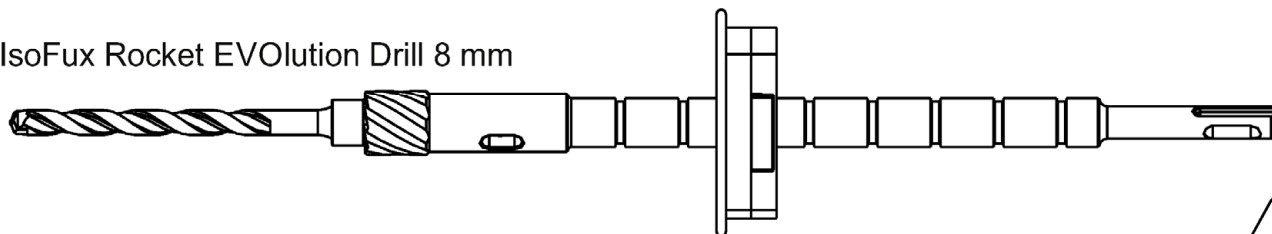
IsoFux Rocket, IsoFux Rocket EVolution

Product description

Plates T90, T110 and T140 and MW-CUP in combination with IsoFux Rocket

Annex A 9

IsoFux Rocket EVOLution Drill 8 mm



IsoFux Rocket EVOLution screw-in tool



IsoFux Rocket EVOLution
adhesive foam B1 DIN 4102-1
TR46

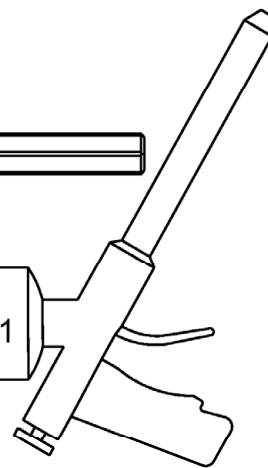


Table A7 : Materials

Designation	Material
Anchor sleeve Color: grey	virgin Polypropylene (PP)
Shaft with plate Color: grey or red	virgin Polyamid (PA)
MW-CUP Cover cap	virgin Polyamid 6.0 GF virgin Polyamid 6.0 GF
Additional plate T110, T140 Additional plate T 90 Color: grey, orange or red	virgin Polyamid 6.6 virgin Polypropylene (PP)
Special screw	Steel, electro galvanized 5 µm
Insulation cover	Polystyrol PS20 Mineral wool Type HD
EVOLution - Stick	virgin Polyamid (PA)

IsoFux Rocket, IsoFux Rocket EVOLution

Product description

Materials, IsoFux Rocket EVOLution Drill 8 mm
IsoFux Rocket EVOLution screw-in tool,

Annex A 10

Specifications of intended use

Anchorage subject to:

- . The anchor shall only be used for the transmission of wind suction loads and shall not be used for the transmission of dead loads of thermal insulation composite system.

Base materials:

- . Compacted normal weight concrete without fibres (base material group A) according Annex C 1
- . Solid masonry (base material group B) according Annex C 1
- . Lightweight aggregate concrete (base material group D) according to Annex C 1
- . Hollow or perforated masonry (base material group C) according to Annex C 1
- . Autoclaved aerated concrete (base material group E) according to Annex C 1
- . For other base materials of the base material group A, B, C, D and E, the characteristic resistance of the anchor may be determined by job site tests according to EOTA Technical Report TR 051, Edition April 2018.

Application temperature range:

- . 0°C to +40°C (maximum short term temperature +40°C and maximum long term temperature +24°C)

Design:

- . The anchors are designed under the responsibility of an engineer experienced in anchorages and masonry work with the partial safety factors $\gamma_M = 2,0$ and $\gamma_F = 1,5$, if there are no other national regulations.
- . Verifiable calculation notes and drawings shall be prepared taking account of the loads to be anchored. The position of the anchor shall be indicated on the design drawings.
- . Fasteners are only to be used for multiple fixing of thermal insulation composite system.

Installation:

- . Drilling method shall comply to Annex C 1
- . Anchor installation carried out by appropriately qualified personnel and under the supervision of the person responsible for technical matters on the site.
- . Ambient temperature during the installation of the anchor 0°C to +40°C
- . Exposure to UV due to solar radiation of the anchor not protected by rendering < 6 weeks.

IsoFux Rocket, IsoFux Rocket EVolution		Annex B 1
Intended use Specification		

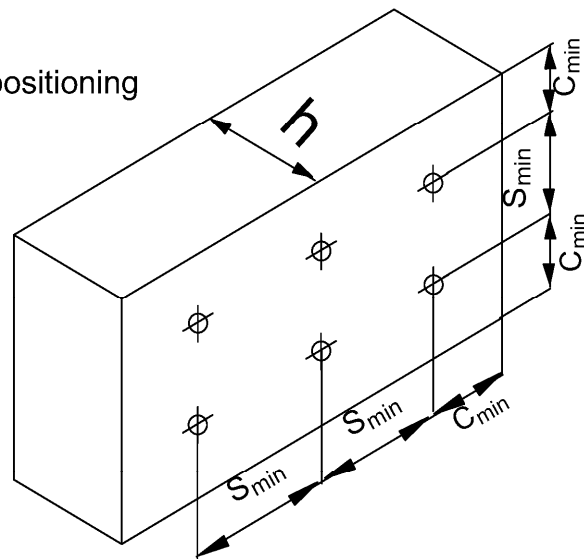
Table B1: Installation parameters

Anchor type	IsoFux	Rocket + IsoFux	Rocket EVolution
Drill hole diameter		d_0 (mm) =	8
Cutting diameter of drill bit		d_{cut} (mm) ≤	8,45
Depth of drill hole to deepest point			
Base material group : A B C		h_1 (mm) ≥	35
Base material group : D E		h_1 (mm) ≥	60
Effective anchorage depth			
Base material group : A B C		h_{ef} (mm) ≥	25
Base material group : D E		h_{ef} (mm) ≥	50

Table B2: Anchor distances and dimensions of members

Anchor type	IsoFux	Rocket + IsoFux	Rocket EVolution
Minimum spacing		S_{min} = [mm]	100
Minimum edge distance		C_{min} = [mm]	100
Minimum thickness of concrete member		h = [mm]	100

Scheme of anchor positioning

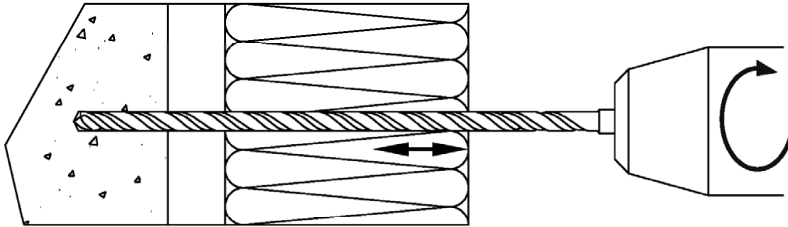


IsoFux Rocket, IsoFux Rocket EVolution

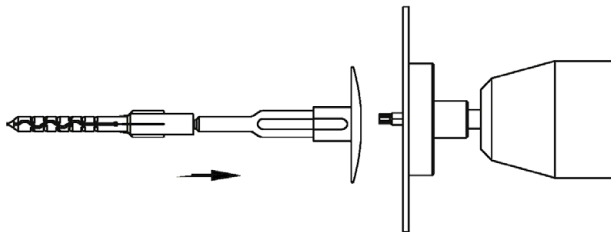
Intended use

Installation parameters, minimum thickness, edge distance and spacing

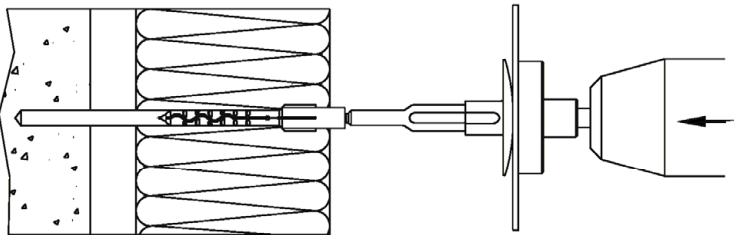
Annex B 2



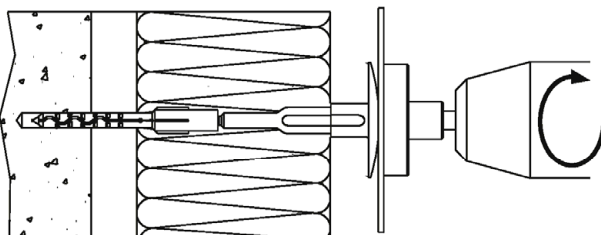
1) Drill the hole perpendicular to the substrate surface. Clean the drill hole.



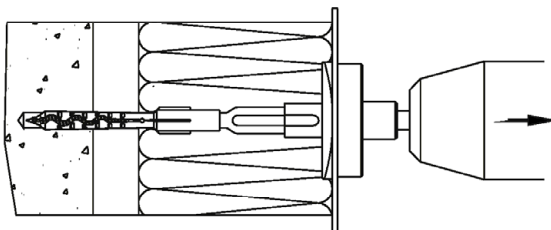
2) Put the anchor on the mounting tool.



3) Place the anchor into the drill hole.



4) Anchor with the screw drill mounting. The bottom side of the plate must be flush with the ETICS.



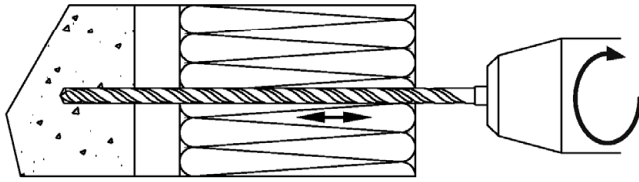
5) Installed condition. remove the mounting tool.

IsoFux Rocket, IsoFux Rocket EVolution

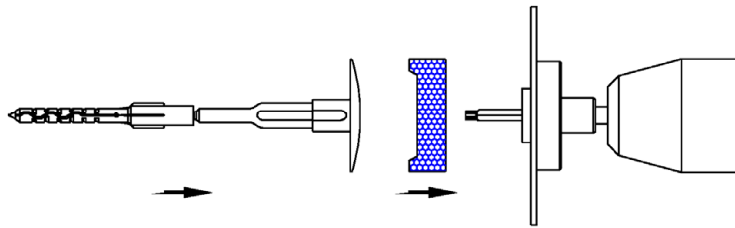
Intended use

Installation instructions IsoFux Rocket surface mount

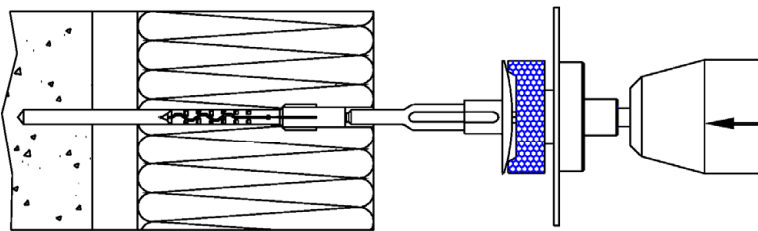
Annex B 3



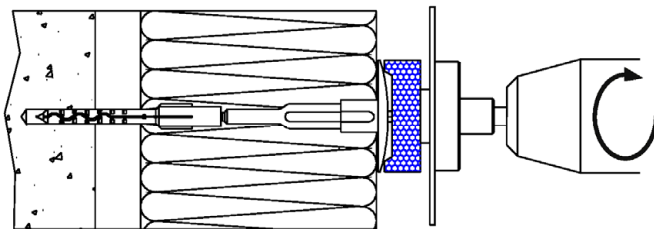
1) Drill the hole perpendicular to the substrate surface.
Clean the drill hole.



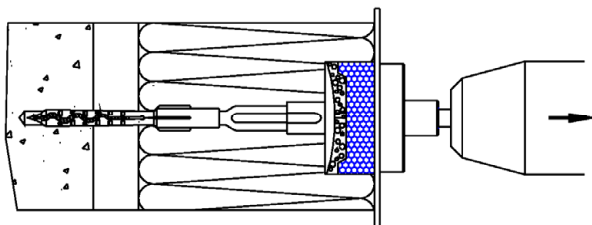
2) Put the anchor and the insulation cover on the mounting tool.



3) Place the anchor into the drill hole.



4) Anchor with the screw drill mounting. The bottom side of the plate must be flush with the ETICS.



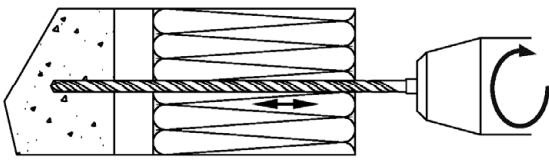
5) Installed condition.
remove the mounting tool.

IsoFux Rocket, IsoFux Rocket EVolution

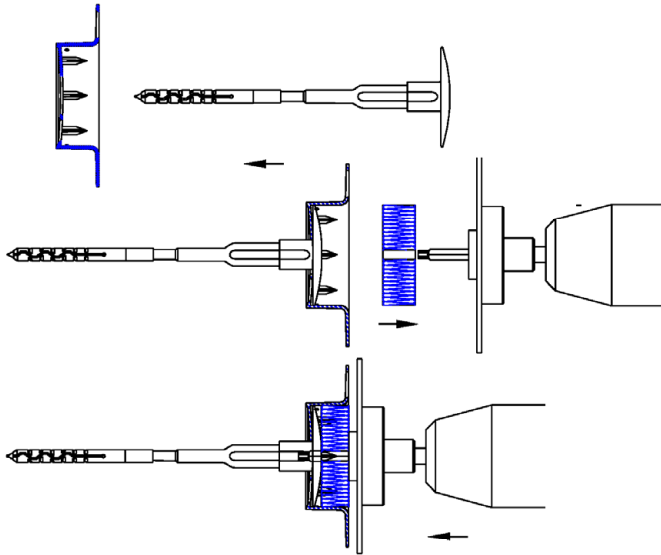
Intended use

Installation instructions IsoFux Rocket immersed mount

Annex B 4

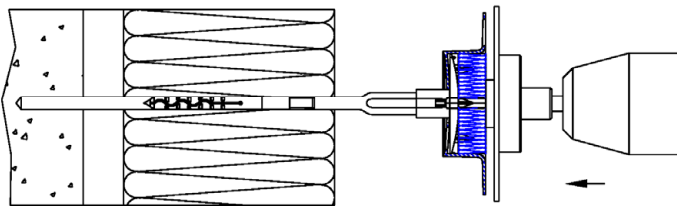


1) Drill the hole perpendicular to the substrate surface. Clean the drill hole.

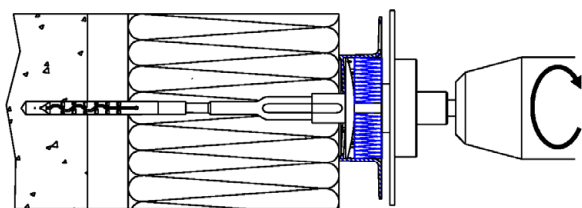


2) Put the anchor IsoFux Rocket in the MW-CUP

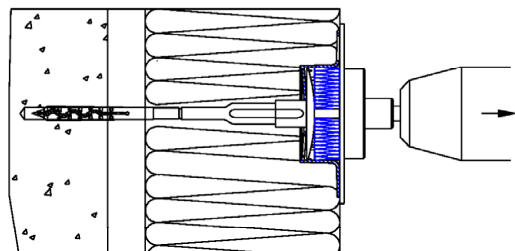
3) Put the anchor Isofux Rocket and the MW-CUP and the insulation cover on the mounting tool.



4) Place the anchor into the drill hole.



5) Anchor with the screw drill mounting. The bottom side of the plate must be flush with the ETICS.



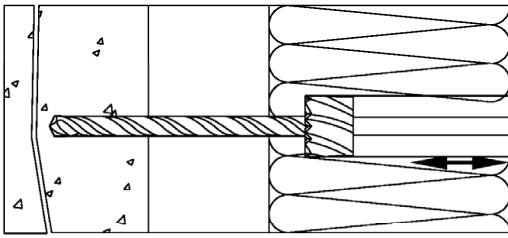
6) Installed condition. remove the mounting tool.

IsoFux Rocket, IsoFux Rocket EVolution

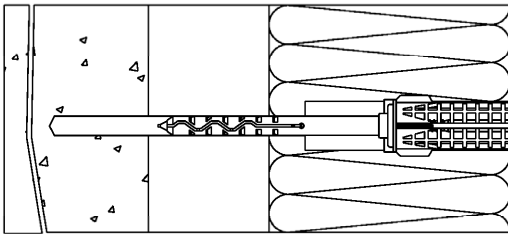
Intended use

Installation instructions IsoFux Rocket in combination with MW-CUP

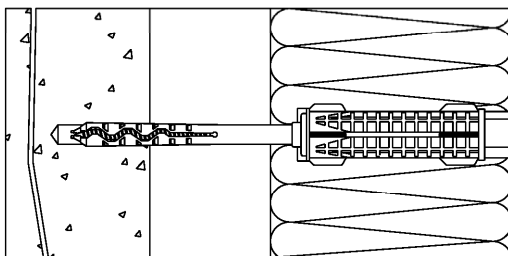
Annex B 5



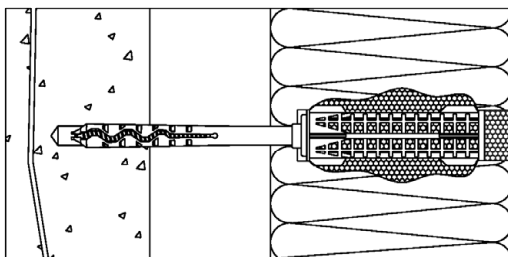
1) Drill the hole with EVOLution drill perpendicular to the surface. Clean the drill hole.



2) Put the EVO stick into the hole. Insert the EVOLution screw-in tool. Fix the EVO stick with the EVOLution setting tool until the „Distance Control“ (= The marked orange sleeve)



3) Screw to the end of the EVO Distance Control.



4) Gluing the dowel including foaming the adhesive channel. Cut the dried-out adhesive foam flush with a knife.

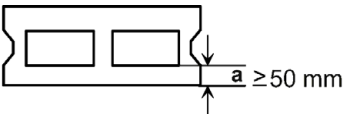
IsoFux Rocket, IsoFux Rocket EVOLution

Intended use

Installation instructions IsoFux Rocket EVOLution

Annex B 6

Table C1: Characteristic resistance N_{Rk} in [kN] to tension loads in concrete and masonry for a single anchor and minimum distances and dimensions

Anchor type		IsoFux Rocket + IsoFux Rocket EVolution			
Base material	Bulk density ρ [kg/dm ³]	Minimum compressive strength f_b [N/mm ²]	Remarks	Drill method	N_{Rk} [kN]
Concrete C12/15 - C20/25 EN 206: 2013+A1:2016			Compacted normal weight concrete without fibres	Hammer	1,5
Concrete C50/60 EN 206: 2013+A1:2016			Compacted normal weight concrete without fibres	Hammer	1,5
Clay bricks Mz EN 771-1:2011+A1:2015	$\geq 1,8$	20	Cross-section reduced by vertical perforation up to 15%	Hammer	1,5
Sand-lime solid bricks KS EN 771-2:2011+A1:2015	$\geq 1,8$	12	Cross-section reduced by vertical perforation up to 15%	Hammer	1,5
Sand-lime perforated bricks KSL EN 771-2:2011+A1:2015	$\geq 1,4$	12	Cross-section reduced by vertical perforation more than 15%	Rotary drilling	1) 1,2
Vertically perforated clay bricks HLZ EN 771-1:2011+A1:2015	$\geq 1,0$	12	Cross-section reduced by vertical perforation for more than 15% and less than 50%	Rotary drilling	2) 0,75
Lightweight concrete solid bricks EN 771-3:2011+A1:2015	$\geq 1,2$	6	Proportion of hole up to 10% maximum extension of hole: length= 110mm; wide= 45 mm	Rotary drilling	0,4
Lightweight concrete hollow blocks Hbl EN 771-3:2011+A1:2015	$\geq 1,2$	6		Rotary drilling	0,6
Autoclaved aerated concrete EN 771-4:2011+A1:2015	$\geq 0,65$	4	PP/PPE	Rotary drilling	1,2
Lightweight aggregate concrete LAC 6 EN 1520:2011 /EN 771-3:2011 +A1:2015	$\geq 0,90$	6		Hammer	0,9

1) The value applies only for outer web thicknesses ≥ 20 mm; otherwise the characteristic resistance shall be determined by job-site pull-out tests.

2) The value applies only for outer web thickness ≥ 14 mm; otherwise the characteristic resistance shall be determined by job-site pull-out tests.

IsoFux Rocket, IsoFux Rocket EVolution

Performance
Characteristic resistance

Annex C 1

Table C2: Displacements

Base material	Bulk density [kg/dm ³]	Minimum compressive strength [N/mm ²]	Tension load N [kN]	Displacements $\Delta\delta_N$ [mm]
Concrete C12/15 - C50/60 EN 206:2013+A1:2016	$\geq 1,8$	20	0,50	0,3
Clay brick, Mz EN 771-1:2011+A1:2015	$\geq 1,8$	20	0,50	0,3
Sand-lime solid brick, KS EN 771-2:2011+A1:2015	$\geq 1,8$	12	0,50	0,3
Vertically perforated sand-lime brick, KSL EN 771-2:2011+A1:2015	$\geq 1,4$	12	0,40	0,3
Vertically perforated clay brick, HLZ EN 771-1:2011+A1:2015	$\geq 1,0$	12	0,25	0,3
Lightweight concrete solid bricks, V EN 771-3:2011+A1:2015	$\geq 1,2$	6	0,15	0,3
Lightweight concrete hollow blocks, Hbl EN 771-3:2011+A1:2015	$\geq 1,2$	6	0,20	0,3
Autoclaved aerated concrete, AAC EN 771-4:2011+A1:2015	$\geq 0,65$	4	0,40	0,3
Lightweight aggregate concrete LAC 6 EN 1520 :2011 / EN 771-3:2011 +A1:2015	$\geq 0,90$	6	0,30	0,4

IsoFux Rocket, IsoFux Rocket EVolution

Performance
Displacements

Annex C 2

Table C3: Plate stiffness according EOTA Technical Report TR 026: May 2016

Anchor type	Diameter of the anchor plate [mm]	Load resistance of the anchor plate [kN]	Plate stiffness [kN/mm]
IsoFux Rocket 1)	60	2,5	1,1

1) IsoFux Rocket EVOLution without plate stiffness, load resistance of the anchor plate

Table C4: Point thermal transmittance according EOTA Technical Report TR 025: May 2016

Anchor type	Insulation thickness h_D [mm]	point thermal transmittance χ [W/K]
IsoFux Rocket deep mounted	80 - 380	0,001
IsoFux Rocket flush mounted	60 - 360	0,002
IsoFux Rocket EVOLution 80 mm	100 - 400	0
IsoFux Rocket EVOLution 120 mm	140 - 400	0

IsoFux Rocket, IsoFux Rocket EVOLution	Annex C 3
Performance Plate stiffness and point thermal transmittance	